

# PHILCO . . . . . Model 610

**SERVICE BULLETIN**  
**No. 217B**



**For Members of**  
**RADIO MANUFACTURERS SERVICE**  
**A PHILCO SERVICE PLAN**

## Later 1935 Production Runs

This sheet supplements the regular bulletin No. 217 on the Philco 610 and also covers the Philco Radio-Phonograph 610PF. All circuit and part number changes up to date have been included.

Beginning with run No. 9 the grid bias arrangement for the 6A7 1st detector and 78 I.F. was changed. A fixed bias

from the B.C. resistor is fed through the AVC circuit to the grids of these tubes.

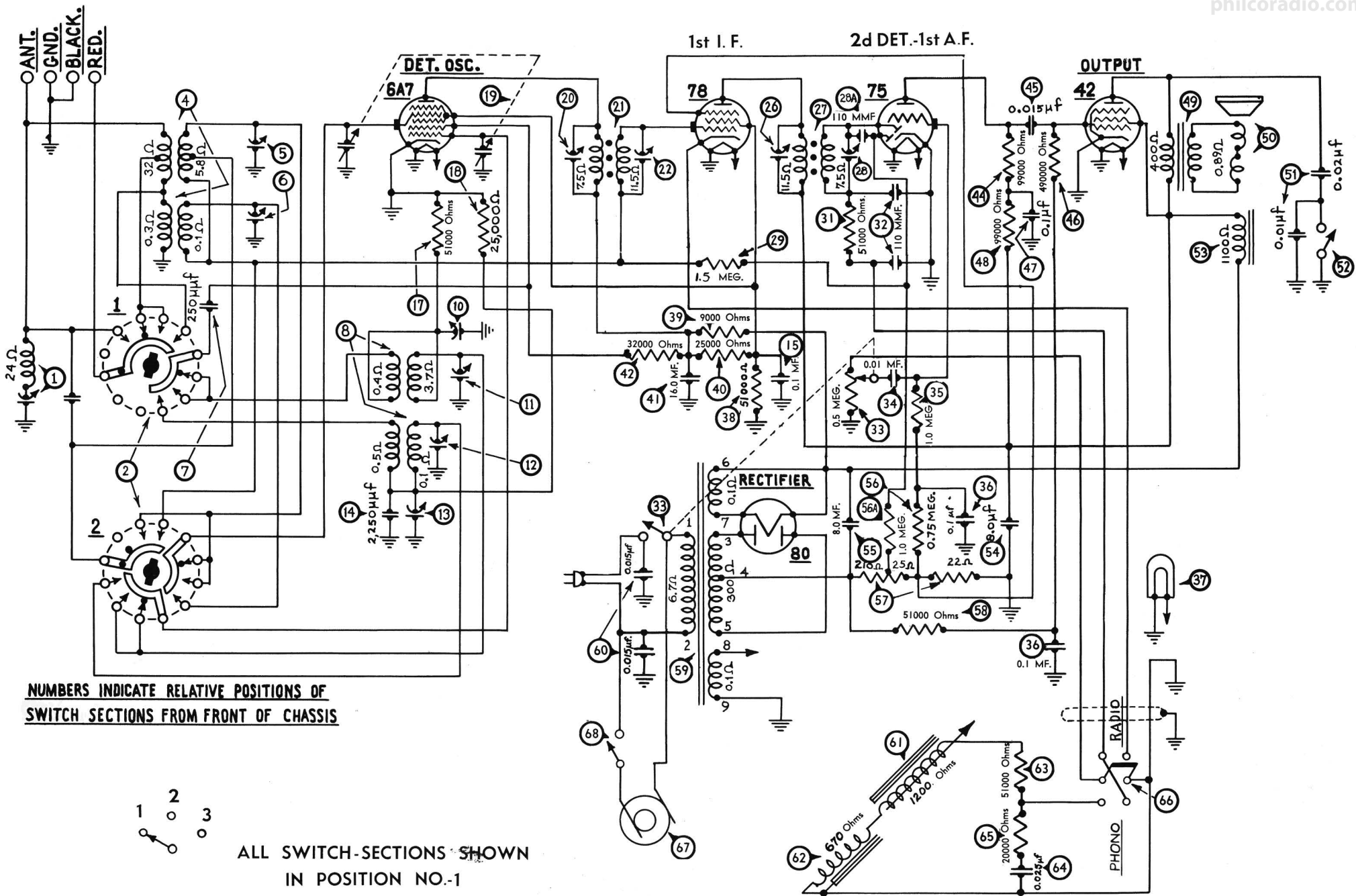
Beginning with run No. 11 the oscillator circuit was changed to series feed to eliminate possibilities of failure at 6.0 mc.

Beginning with run No. 14 the dial mask assembly was changed to the glowing arrow wave band indicator type.

## PARTS LIST

Description	Part No.	List Price	Description	Part No.	List Price
① Wavetrap .....	38-6777	\$1.00	④ Condenser (.1 Mfd. Tubular).....	30-4170	\$0.35
② Waveband Switch .....	42-1152	1.75	⑤ Resistor (.1 Meg.) (White, White, Yellow)....	6099	.20
③ Antenna Transformer .....	32-1669	1.15	⑥ Output Transformer .....	32-7019	1.25
④ Compensating Condenser (Antenna, Standard)			⑦ Cone & Voice Coil Assembly (P-27 Speaker)...	02861	.65
	Part of 31-6047	.50	⑧ Condensers (in Tone Control).....	Part of ②	....
⑤ Compensating Condenser (Antenna, S.W.)			⑨ Tone Control .....	30-4318	.50
	Part of 31-6047	.50	⑩ Field Coil & Pot Assembly (P-27 Speaker).....	36-3341	2.75
⑥ Condenser (.00025 Mfd. Mica).....	30-1032	.20	⑪ Condenser (Electrolytic—8 Mfd.).....	30-2025	1.35
⑦ Oscillator Transformer .....	32-1973	1.00	⑫ Resistor (750000 ohms) (Violet, Green, Yellow)		
⑧ Compensating Condenser (Osc. L.F. Standard)			(½ Watt) .....	33-1203	.20
(Screw) .....	Part of 31-6027	.70	⑬ Condenser (Electrolytic) (8 Mfd.).....	30-2025	1.35
⑨ Compensating Condenser (Osc. H.F., Standard)			⑭a Resistor (1. Megohm) (Brown, Black, Green).	33-1096	.20
	Part of 31-6047	.50	⑮ Resistor (B.C. Wire-wound, 22 ohms, 25 ohms,		
⑩ Compensating Condenser (Osc. S.W., H.F. End)			210 ohms).....	33-3222	.20
	Part of 31-6047	.50	⑯ Resistor (50000 ohms) (Green, Brown, Orange)	6098	.20
⑪ Compensating Condenser (Osc. S.W., L.F. End)			⑰ Power Transformer (110 volts, 60 cycles).....	32-7381	4.00
(Nut) .....	Part of 31-6027	.70	(110 volts, 25 cycles).....	32-7382	6.25
⑫ Condenser (.00225 Mfd. Mica).....	30-1055	.40	(230 volts, 50 cycles).....	32-7383	4.50
⑬ Resistor (50000 ohms) (Green, Brown, Orange)	6098	.20	⑱ Condenser (.015 Mfd. Twin Bakelite Block)...	3793-DG	.40
⑭ Resistor (25000 ohms) (Red, Green, Orange)..	33-1013	.20	⑲ Pickup Head .....	35-2014	7.25
⑮ Tuning Condenser Assembly.....	31-1740	....	⑳ Hum Bucking Coil.....	32-1940	1.10
⑯ Compensating Condenser (1st I.F. Primary)...	Part of ⑩	....	㉑ Resistor (51,000 ohm).....	6098	.20
⑰ 1st I.F. Transformer.....	32-1671	1.35	㉒ Resistor (20,000 ohm).....	33-1178	.20
⑱ Compensating Condenser (1st I.F. Secondary)..	Part of ⑩	....	㉓ Condenser (.025 mf.).....	7653-SU	.35
⑲ Condenser (.05 Mfd. Tubular).....	30-4020	.35	㉔ Phono. Radio Switch & Cable Assy.....	35-3014	1.30
㉑ Compensating Condenser (2nd I.F. Primary)...	Part of ⑩	....	㉕ Phono. Radio Motor (115 V., 60 cycles).....	35-1116	18.00
㉒ 2nd I.F. Transformer.....	32-1672	1.35	㉖ Phono. Radio Motor Switch.....	4535	.75
㉓ Compensating Condenser (2nd I.F. Secondary). Part of ⑩		....	Glowing Arrow Mask .....	27-5162	.20
㉔ Resistor (2 Megs.) (Red, Black, Green).....	33-1188	.20	Glowing Arrow Screen .....	27-5161	.10
㉕ Resistor (50000 ohms) (Green, Brown, Orange)	6098	.20	Mask Arm .....	29-3274	....
㉖ Condenser (.00011 Twin Bakelite Block).....	8035-DG	.25	Link .....	29-3285	.04
㉗ Volume Control & On-Off Switch.....	33-5106	1.45	Coupling .....	29-3586	.10
㉘ Condenser (.01 Mfd. Bakelite Block).....	3903-SU	.25	Screen Bracket Assy.....	31-1745	....
㉙ Resistor (1 Meg.) (Brown, Black, Green).....	33-1096	.20	Dial Mask .....	27-5137	.15
㉚ Condenser (.1 Mfd. Twin Bakelite Block).....	4989-DG	.40	Dial Assembly .....	31-1539	.30
㉛ Pilot Lamp .....	34-2039	.09	Tube Shield Body .....	28-2726	.10
㉜ Resistor (50000 ohms) (Green, Brown, Orange)	4237	.20	Tube Shield Base.....	28-2725	.03
㉝ Resistor (9000 ohms) (Black, White, Orange)..	33-1215	.20	Four Prong Socket.....	27-6034	.10
㉞ Resistor (25000 ohms) (Red, Green, Orange)..	3656	.20	Six Prong Socket.....	27-6036	.11
㉟ Condenser (Electrolytic—16 Mfd.).....	30-2118	1.65	Seven Prong Socket.....	27-6037	.11
㊱ Resistor (32000 ohms) (Orange, Red, Orange)..	5279	.20	Knob (Station Selector).....	27-4206	.12
㊲ Resistor (.1 Meg.) (Brown, Black, Green).....	6099	.20	Knob (Fine Tuning).....	27-4207	.10
㊳ Condenser (.015 Mfd. Bakelite Block).....	3793-SU	.35	Knob (Volume, Waveband and Tone Control). .	27-4208	.10
㊴ Resistor (.5 Meg.) (Yellow, White, Yellow)....	6097	.20	Bezel .....	28-2928	.35
			Bezel Glass .....	27-7887	.60

PRICES SUBJECT TO CHANGE WITHOUT NOTICE



I.F. = 460 KC.